

EE150

Humidity and Temperature Transmitter for HVAC Applications

The EE150 is a compact, accurate and reliable transmitter for HVAC applications, available with analog current or voltage outputs for relative humidity (RH) and temperature (T), as well as an optional passive T-Sensor output. It employs an E+E capacitive humidity sensor element with excellent long term stability and resistance against pollutants.

The compact IP65/NEMA 4 enclosure and the Ø 6 mm stainless steel probe minimize installation costs, while the PTFE filter cap provides outstanding protection against contamination. External mounting holes allow installation with closed cover, the electronics are protected against construction site pollution.

With an optional configuration kit and free software the user can set the output scaling and perform one or two point adjustment for humidity and temperature.



EE150

Typical Applications

Heating, ventilation, air conditioning
Building management

Features

IP65/NEMA 4 compact enclosure
Ø 6 mm stainless steel probe
Free scaleable outputs
Resistance against pollutants
Free configuration software

Technical data

Measured values

Relative Humidity

Working range	10...90 % RH
Accuracy at 20 °C	±3 % RH (30...70 % RH), otherwise ±5 % RH
Temperature dependency	typ. ±0.05 % RH/°C

Temperature

Working range	-5...55 °C (23...131 °F)
T-Accuracy at 20 °C	±0.3 °C



Outputs

Analog output (0...100 % RH; T: see ordering guide)	0-10 V	$R_L \geq 10 \text{ kOhm}$
	4-20 mA (two-wire)	$R_L \leq 500 \text{ Ohm}$

Passive T-sensor

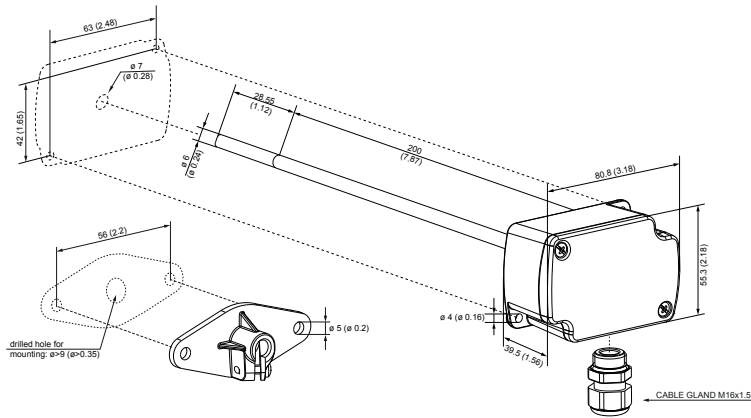
2-wire	see ordering guide
Wires resistance (terminal - sensor)	typ. 0.5 Ohm

General

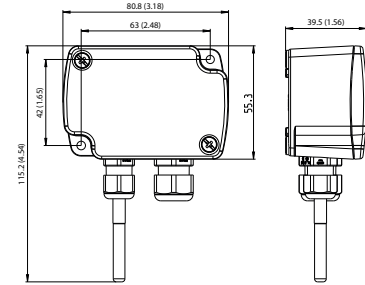
Power supply (Class III) 	for 0 - 10 V	15 - 35 V DC or 24 V AC ±20 %	
	for 4 - 20 mA	$10 \text{ V} + R_L \times 20 \text{ mA} < U_V < 35 \text{ V DC}$	
Current consumption	with DC power supply	typ. 5 mA	
	with AC power supply	typ. 13 mA _{eff}	
Connection	Screw terminals, max. 1.5 mm ²		
Housing material	Polycarbonate, UL94V-0 approved		
Protection class	IP65 / NEMA 4		
Cable gland	M16 x 1.5 / UL94-V2		
Sensor protection	PTFE filter, non-removable		
Electromagnetic compatibility	EN61326-1	EN61326-2-3	Industrial environment
	FCC Part 15 Class B	ICES-003 Issue 5 Class B 	
Working conditions	-5...55 °C (23...131 °F)	0...95 % RH (non-condensing)	
Storage conditions	-25...60 °C (-13...140 °F)	20...80% RH	

Dimensions (mm/inch)

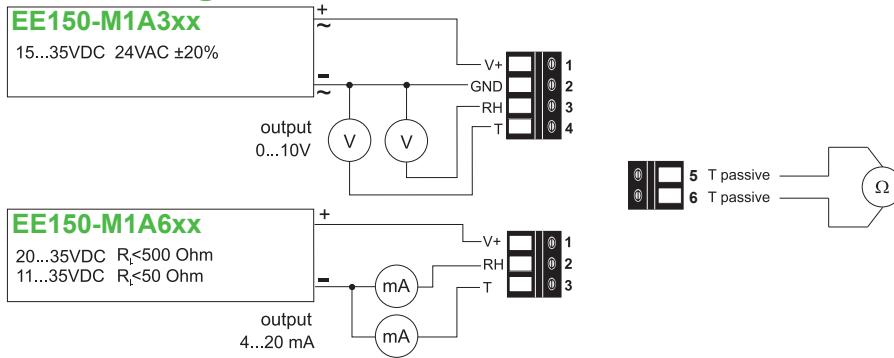
Duct mount



Wall mount



Connection diagram



Ordering Guide

		EE150-
Model	Humidity + Temperature	M1
Output RH / T	0-10 V	A3
	4-20 mA	A6
Additional T-Sensor passive ¹⁾	none	no code
	Pt100 DIN A	TP1
	Pt1000 DIN A	TP3
	NTC10k	TP5
	Ni1000 TK6180	TP9
Type	Duct mount	no code
	Wall mount	T1
T-Unit	°C	no code
	°F	MB2
T-Scale low	0	no code
	Value ²⁾	SBL value
T-Scale high	50	no code
	Value ²⁾	SBH value

1) T-Sensor details see www.epluse.com/R-T_Characteristics

2) Within working range. For scaling beyond working range limits please contact the E+E sales representative.

Order example

EE150-M1A6TP1

Model: Humidity + Temperature
Output RH / T: 4-20 mA
Additional T-Sensor passive: Pt100 DIN A
Type: Duct mount
T-Unit: °C
T-Scale low: 0
T-Scale high: 50

EE150-M1A6TP1T1MB2SBL-5SBH55

Model: Humidity + Temperature
Output RH / T: 4-20 mA
Additional T-Sensor passive: Pt100 DIN A
Type: Wall mount
T-Unit: °F
T-Scale low: -5
T-Scale high: 55

Accessories

Product configuration adapter	see data sheet EE-PCA
Product configuration software	EE-PCS (free download: www.epluse.com/EE150)
Power supply adapter	V03 (see data sheet Accessories)
Conduit adapter, M16x1.5 to 1/2"	HA011110

Scope of Supply

- EE150 Humidity and Temperature Transmitter
- Cable gland
- Mounting flange (only at duct mount version)
- Test report according to DIN EN10204 - 2.2